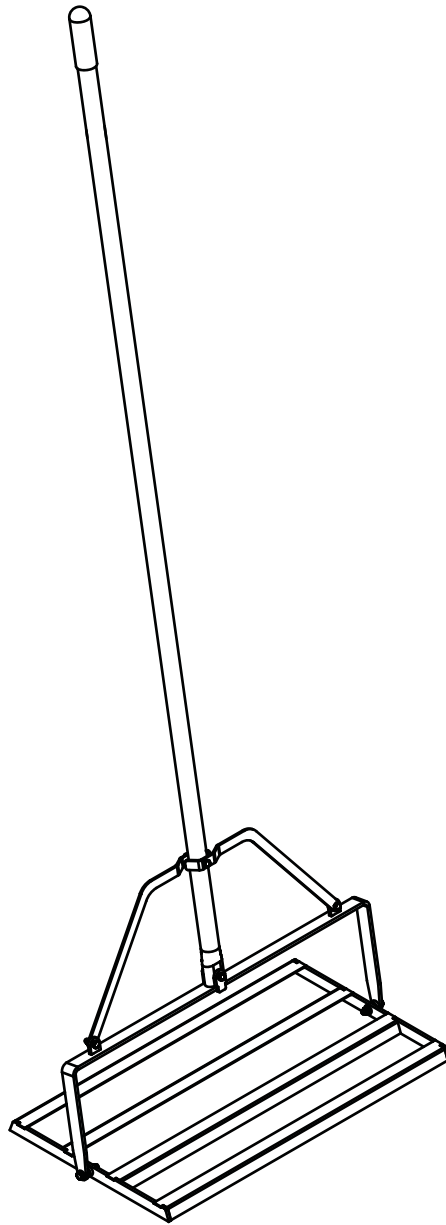


sisis[®]

TRULUTE

24ins & 1m Models

INSTRUCTION MANUAL



SISIS, Ashbourne Road, Kirk Langley, Derbyshire, DE6 4NJ, England.

Tel: +44 (0) 1332 824 777 | Fax: +44 (0) 1332 824 525 | Email: info@sisis.com | www.sisis.com

A division of Howardson Ltd. - a proudly British company
Company reg no 641526 - Vat No GB 345 9918 12

SP20011_REV_0
03/12



NOTE

MAKE A NOTE OF THE SERIAL NUMBERS OF YOUR MACHINE & ENGINE AND ALWAYS QUOTE THEM IN ANY COMMUNICATION WITH PERSONNEL AT DENNIS.

MACHINE SERIAL NUMBER

Introduction

The **SISIS Trulute** is a reversible levelling grid for many uses on turf surfaces.

It is advisable to read the instructions carefully. Proper care and attention will enable the machine to give a continuous, satisfactory, and reliable service.

In the case of any difficulty, or if further information or advice is required, our Service Department is always at your call. In the interests of speed and accuracy of information please quote the serial number of the machine when making enquiries.

For the machine, this is to be found on a plate attached to the side frame. We suggest you write the numbers above.

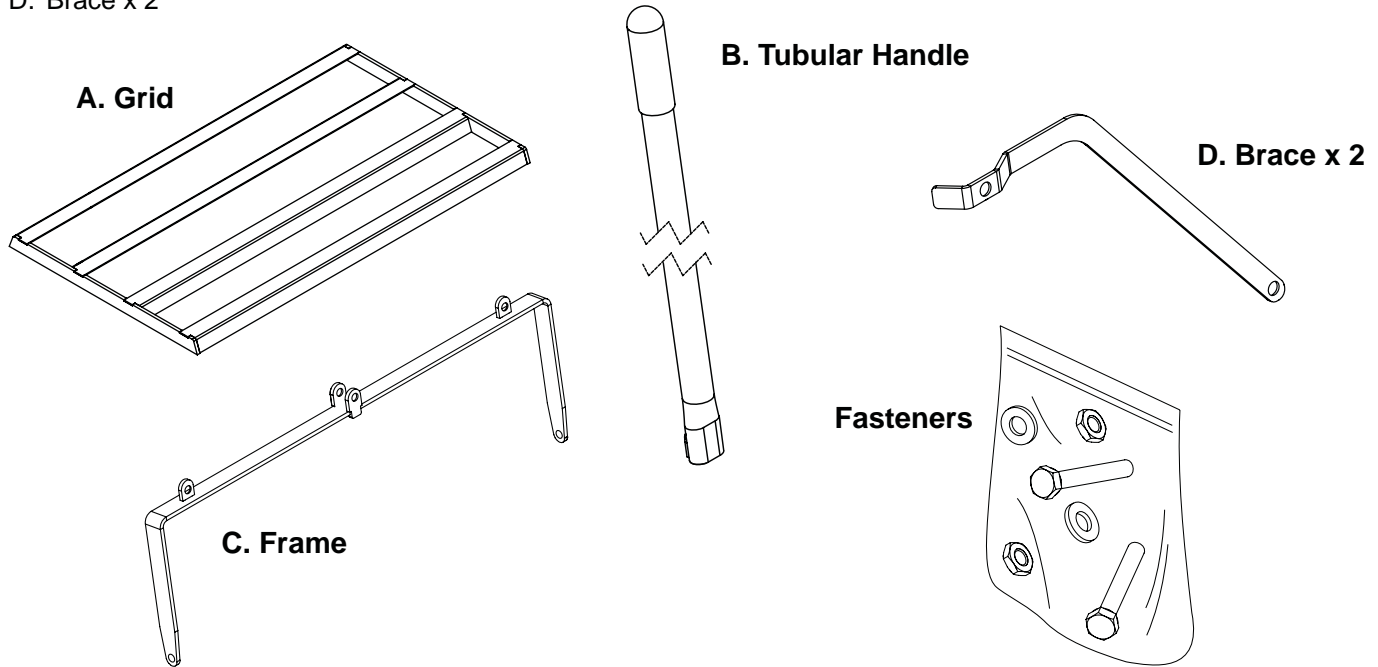
Contents

	Page
Serial Numbers.....	2
Introduction.....	2
Assembly Instructions.....	3
Operating Instructions	4
Storage	4
Parts Listings.....	5

Assembly Instructions

The SISIS Trulute is a self-assembly implement which consists of 4 main sections (*see below*) which are connected using range of fasteners. Tools required for the assembly procedure are: **2-off 10mm Spanners**.

- A. Grid
- B. Tubular Handle
- C. Frame
- D. Brace x 2



ASSEMBLY PROCEDURE (See Figure 1)

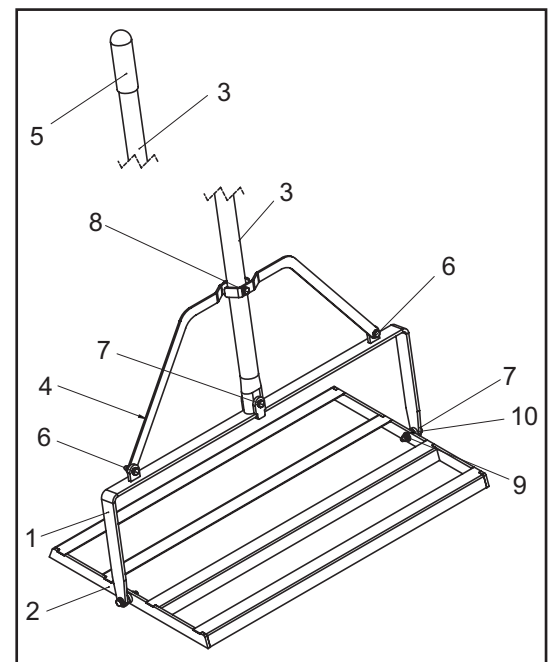
1. Insert the flattened end of the Tubular Handle (**Item 3**) between the bracket on Frame (**Item 1**). Align holes and insert Screw (**Item 7**)



NOTE

THIS MAY BE A TIGHT FIT REQUIRING WORKING THE HANDLE BACK AND FORTH.

2. Mount the Braces (**Item 4**) to the Frame using Screws (**Item 6**) and to the Tubular Handle using Screw (**Item 8**). These will all be secured using Nuts (**Item 9**).
3. Fasten the Grid (**Item 2**) into the Frame (**Item 1**) using Screws, Washers and Nuts (**Item 7, 10 and 9**) with the Self Lock Nuts within the Grid (**Item 2**) sufficiently slack to allow the Grid (**Item 2**) to pivot.





CAUTION

PLEASE READ THESE OPERATING INSTRUCTIONS CAREFULLY BEFORE COMMENCING WORK.

We want you to obtain the best performance from this machine. If you have any difficulty in carrying out the following instructions please contact SISIS direct or your local SISIS Territory Manager or SISIS Dealer.

OPERATING PRINCIPAL

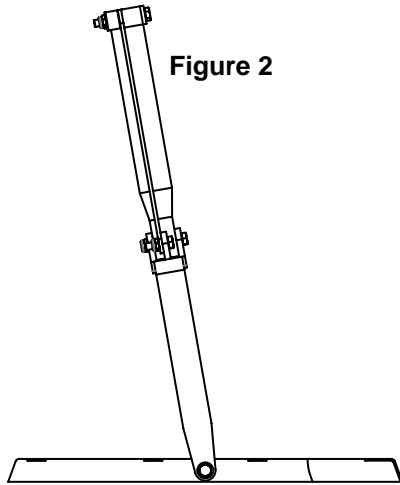


Figure 2

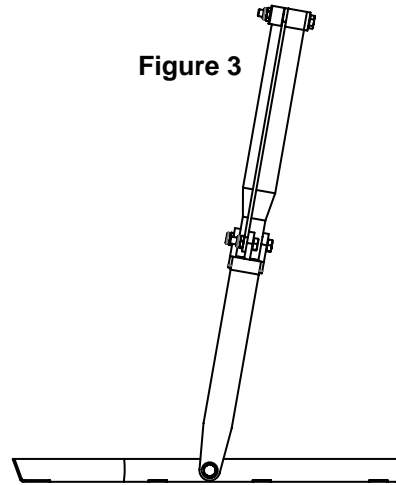


Figure 3

FIGURE 2 - USE THIS EDGE FOR...

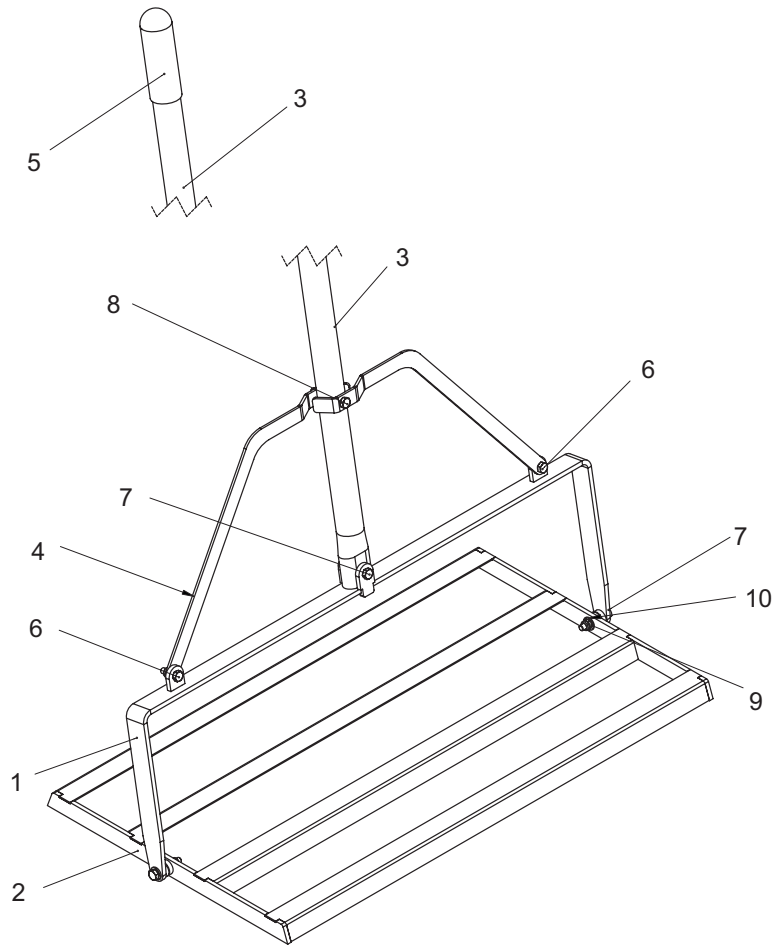
- * working materials into the holes pierced in lawns by aeration.
- * working in top dressing to the soil surface of lawns.
- * cutting back thickened white lines on playing fields.
- * levelling and tilthing nursery and glass house seed beds.
- * filling in hollows in lawns.

FIGURE 3 - USE THIS EDGE FOR...

- * spreading top dressing on turf using a circular movement
- * spreading material in hard tennis courts, running tracks, drives and paths
- * levelling soil surfaces before seed or laying turf.

Storage

Store the Trulute by hanging flat on an inside wall.



1.01

Trulute

Item No.	Part No.	Description	Quantity
1	F33547	Handle Frame	1
2	F33548	Lute 24"	1
3	F34982	Handle Assy	1
4	F34992	Brace	2
5	F35283	Handle Grip	1
6	SP01028	Hex Set Screw M6 x 20	2
7	SP01054	Hex Set Screw M6 x 35	3
8	SP01107	Hex Set Screw M6 x 45	1
9	SP02004	Nut M6 Nyloc	6
10	SP03014	Washer M6 Form C	4

sisis®

SISIS, Ashbourne Road, Kirk Langley, Derbyshire, DE6 4NJ, England.

Tel: +44 (0) 1332 824 777 | Fax: +44 (0) 1332 824 525 | Email: info@sisis.com | www.sisis.com

A division of Howardson Ltd. - a proudly British company
Company reg no 641526 - Vat No GB 345 9918 12